

## Product Introduction

Industrial GPS MODEM/CM410, is a positioning device which is based on global satellite positioning system, the device adopts industrial GPS wireless module, and supports serial port RS232 interface output or RS485 interface output.

GPS MODEM can output the positioning data of \$GPGGA \$GPGSA \$GPGSV \$GPRMC one time/per seconds by serial port RS232 or RS485 interface, we usually use \$GPRMC Simplified data to output this message, this message includes longitude, latitude, speed (nautical mile/hour), Movement direction Angle, year, month, hour, minutes, seconds, millisecond.



CM410 has been widely used in Official vehicles positioning, taxi positioning, Logistics vehicles positioning, Company vehicles positioning etc industry.

## Model No.





Model No.	Interface Type	RS232	Receive GPS
CM410	DB9 Interface	Support	Support

# Technical Parameters

## Device Interface Diagram



## CM410 Accessories

			
Power Connector	RS232 Serial Cable	RS485 Serial Cable	Antenna

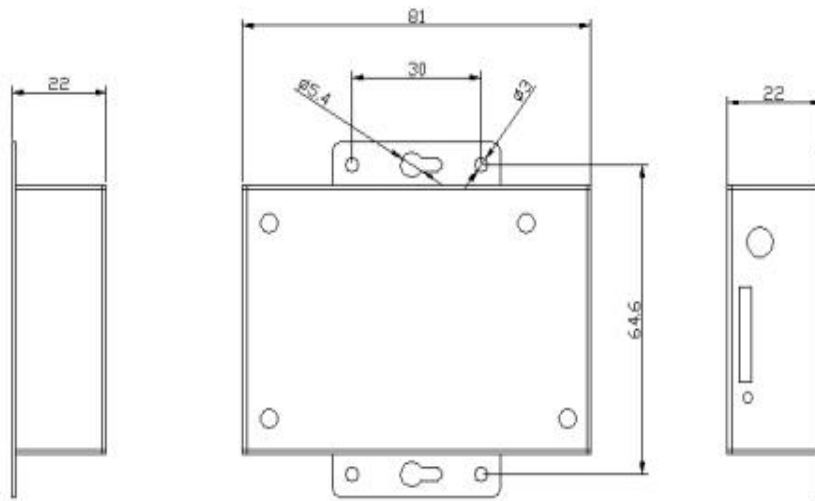
## Industrial Design

<b>Industrial wireless module</b>	Using industrial wireless module, with strong anti-interference and stable transmission.
<b>Strengthened circuit board</b>	PCB followed the principles of 20H and 3W, meanwhile all products of circuit boards used high-quality materials to ensure the plate material stable and reliable.
<b>Industrial components</b>	Device components use strictly screened industrial-grade components.

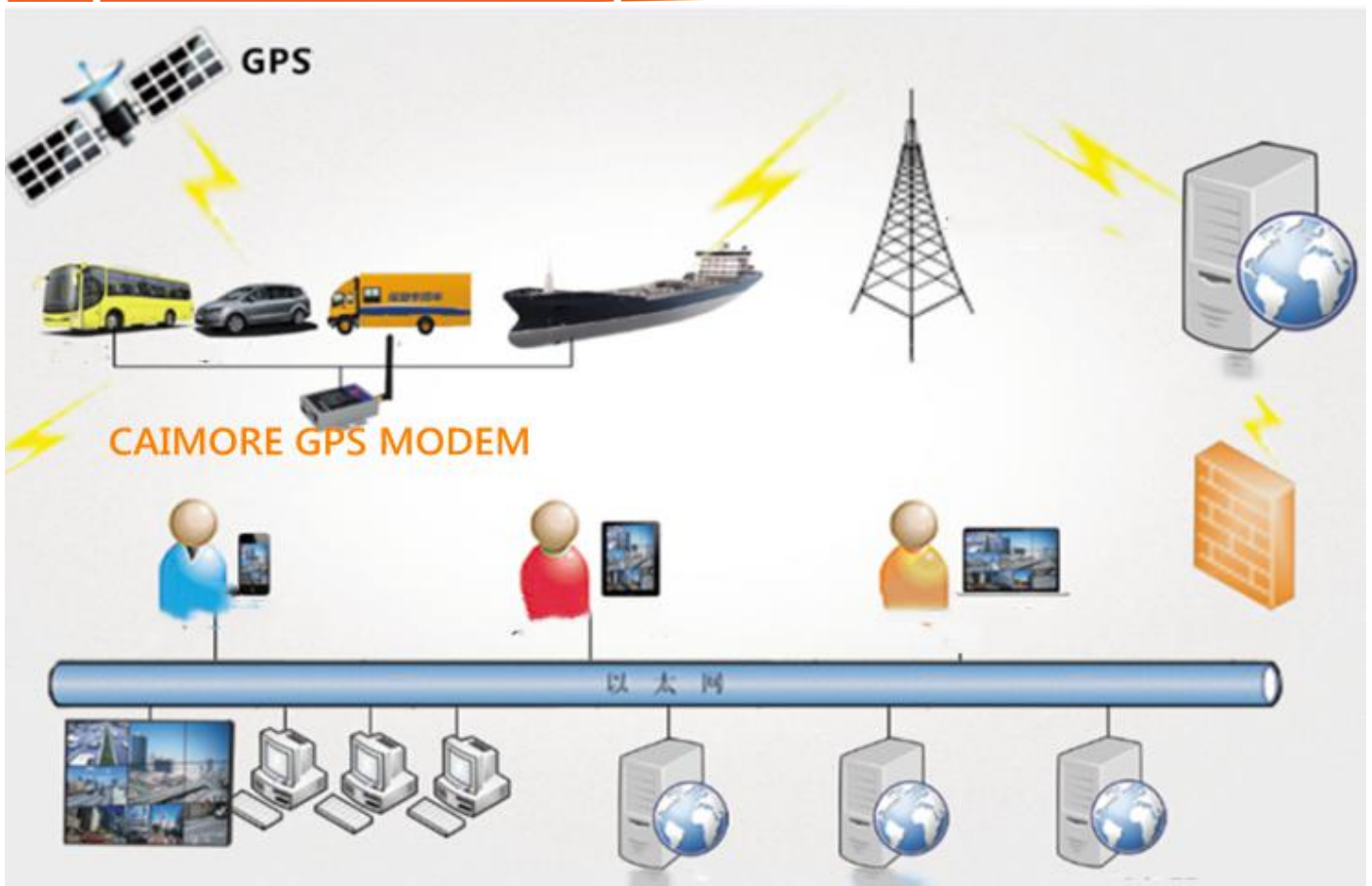
Model NO.	CM410
<b>Parameters</b>	
<b>Wireless module</b>	Using industrial GPS wireless module
<b>Receiver types</b>	Receive global positioning system, 50 channel, L1 frequency, 1.023Mhz chip speed, C / A coding. Support SBAS:WAAS, EGNOS, MSAS, can be compatible with GALILEO
<b>Positioning accuracy</b>	Position: 2.5m CPE SBAS: 2.0m CPE
<b>Speed accuracy</b>	Speed accuracy < 0.01 m/seconds (High speed) < 0.01° (heading), ( 50 % @ 30 m/seconds )
<b>Time accuracy</b>	1 microsecond synchro GPS time
<b>Capture time</b>	Cold boot :27S, Auxiliary Start:<3 seconds, warm boot:<1 seconds
<b>Data format</b>	NMEA-1083, SiRD binary system

<b>Input information</b>	NMEA, SiRF binary system, height/position/date/time
<b>Output information</b>	NMEA-0183,SiRF binary system,GGA GSA GSV RMC VTG GLL
<b>Seconds pulse output</b>	1pps accuracy±1us
<b>Navigation data update rate</b>	5Hz
<b>Sensitivity</b>	Following: -162dBm, cold boot:-147dBm, warm boot:-156dBm
<b>Serial Port Parameters</b>	
<b>Data Bit</b>	7, 8
<b>Stop Bit</b>	1, 2
<b>Parity Bit</b>	No parity, Odd parity, Even parity, SPACE and MARK parity
<b>Serial Speed</b>	110bps ~ 230400bps
<b>Flow Control</b>	None flow control, RTS / CTS hardware flow control or XON / XOFF software flow control
<b>Interface</b>	DB9, Support 1* RS485 interface or 1* RS232 serial port (support RS422/TTL)
<b>Interface</b>	
<b>Indicator</b>	Power / ACT / Online
<b>Antenna Interface</b>	Standard SMA female interface,50ohm, optional 3M/5M/10M/15M antenna extension cable, meet the different needs of customers.
<b>UIM Interface</b>	NONE
<b>Voice Interface</b>	Standard headset interface (requires software)
<b>Power Interface</b>	Standard 3-pin power jack.
<b>Power Supply</b>	
<b>Supply Voltage</b>	Wide voltage design, DC 5V to the DC32V power supply directly to the device, and built-in power supply over-voltage protection and reverse current protection
<b>Standard Power Supply</b>	DC9V/500mA
<b>Average Communication Current</b>	90mA@+9VDC
<b>Communicating Instantaneous Peak Current</b>	1.0A@+9VDC
<b>Standby Current</b>	<36mA@+ 9VDC
<b>Physical Features</b>	
<b>Shell</b>	Metal shell: metal case, anti-radiation, anti-interference, shell and system security isolation, lightning protection design, meet the power requirements of safety regulations, protection rating IP30, particularly suit for harsh industrial control environments.
<b>Product Dimension</b>	81*55*20 mm(Antenna and fixer are not included)
<b>Package Size</b>	298*226*60mm
<b>Weight</b>	0.41kg
<b>Other Parameters</b>	
<b>Operating Temperature</b>	-25°C ~ +65°C
<b>Extended Operating Temperature</b>	-35°C ~ +75°C
<b>Storage Temperature</b>	-40°C ~ +85°C
<b>Relative Humidity</b>	95%(No condensation)

## Installation Dimension



## Product Application



## Typical application

### Transportation industry

- ✧ Taxi positioning
- ✧ Official vehicles positioning
- ✧ Logistics vehicles positioning
- ✧ Company vehicles positioning etc industry
- ✧ Ship positioning
- ✧ All kinds of Application Scenario that need positioning

## Corporate Qualification

Item	Content
<b>Corporate Honor</b>	<p>2011, it was rated as "the best supplier for customer satisfaction in China's industrial control industry", the company's GPRS DTU product was rated as "innovative product award".</p> <p>2012, the company became a member of "China Quality Travel".</p> <p>2013, the company became a member of the "Technical Innovation Strategic Alliance of Intelligent Power Transmission and Distribution Equipment Industry".</p> <p>2014, it was rated as an innovative pilot enterprise .</p> <p>2014, the company's Zhanjiang Wi-Fi coverage project was awarded the "Sample Engineering Award" by the 13th China Automation Annual Conference.</p> <p>2015, its video products were rated as "Top Ten Video Transmission Enterprises" by China's industrial control industry.</p> <p>2015, the noise monitoring project was awarded the "Sample Project Award" by the 14th China Automation Annual Conference.</p> <p>2015, its video products were rated as "Top Ten Video Transmission Enterprises" by Huaqiang Security Network.</p> <p>2016, the video products was rated by Huaqiang Security Network as "2015-2016 High-quality Supplier in China's Security Industry".</p> <p>2016, it was rated as the "best supplier of charging equipment parts" by charging pile communication equipment.</p> <p>2016, won the " Product Gold Award of 2016 7th Guangzhou International New Energy</p>

	<p>Automobile Industry Exhibition ".</p> <p>2016, The 3rd China Good Wi-Fi Organizing Committee awarded Caimore "2016 Best Wi-Fi Industry Application Solution Provider".</p> <p>2018, the company's industrial router was rated as "China's Top Ten Industrial Router Brands", and DTU was rated as "China's DTU Top Ten Brands"</p> <p>2018, it was rated as a key listed reserve enterprise in Xiamen City.</p> <p>2019, it was rated as a key listed reserve enterprise in Xiamen City.</p> <p>2019, it was rated as a key listed reserve enterprise in Fujian Province.</p> <p>2019, Shortlisted for China Telecom Corporation Limited, DICT solution partner of Shanghai branch</p> <p>2020, Selected as a key listed reserve company in Xiamen</p>
<b>High-tech Enterprise</b>	2009, it was recognized as a high-tech enterprise by the country
<b>Double-soft Enterprise</b>	2010, it was recognized as a double-soft enterprise by the country
<b>Occupational Health and Safety Management System Certification</b>	<p>ISO9001:2015 quality management system conforms to the standard</p> <p>ISO14001:2015 environmental management system conforms to the standard</p> <p>ISO45001:2018 occupational health and safety management system conforms to the standard</p>
<b>Copyright</b>	The company has 7 patented technology certificates to maintain equipment stability and 31 software copyright certificates.
<b>Offices</b>	Nine regional offices have been established nationwide to provide customers with close and considerate services.
<b>Registered Capital</b>	The company has a registered capital of 20.58 million, it is a key high-tech enterprise supported by Xiamen City.
<b>Historical Accumulation</b>	18 years of industry R&D accumulation and industry application test.